



Description

Digital multichannel memory and playback unit for audio signals and warning information in the aircraft. The alarm sounds and voice messages can be output via the audio system to the headphones or the speakers in the aircraft. Thus the crew or the passengers can be informed about important information and warned in case of emergencies. Various variants allow a high application diversity for all required range of applications.

Scope of Application

- RAD-ALT Aural Warning Box
- Audio output about the critical limits of engine
- Information about icing conditions
- Information about approaching obstacles
- Replay of safety regulations during operation
- LOW-/HiGH speed warning
- STALL warning
- Alerts for sensors
- Landing gear extended / retracted
- Safety information before leaving the A/C
- Information of the flight route and sightseeing tour
- Replay of emergency procedures for the passengers and the crew
- Warning Tone Generator for over speed and other warning information
- Preflight-check

On request

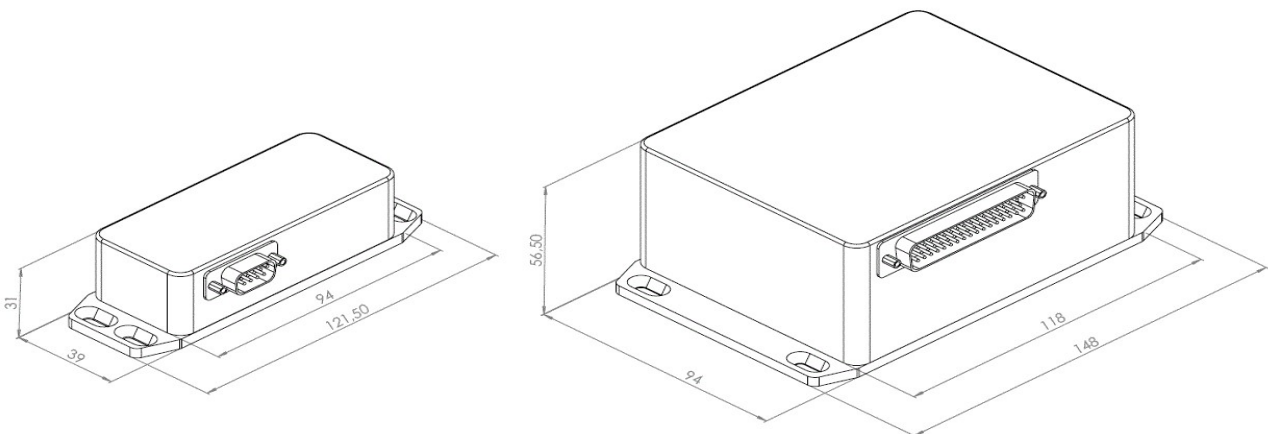
- Installation KIT
- Environmental conditions and test procedure for airborne equipment (DO 160)
- European Technical Standard Order (ETSO)
- Approval in aircraft

Features

- Storage and playback of warning or voice messages for cabin and cockpit
- Choice of 1-, 4-, 8-, 12- or 24-fold warning and information inputs
- Mute and reset button integrated
- Remote system (separate installation of the output system possible)
- Lacquered cast aluminum housing (aluminum coated housing)
- Low weight
- Small dimensions
- Power input 12-36 VDC
- High impedance output for headsets
- Max. 1 hour storage volume
- Qualification according to DO-160 / ED-14, ETSO-C50c on request

Variants

Model / Inputs	P/NP	Dim. (mm)
AWIS-01	1000-16-01	122 x 39 x 32
AWIS-04	4000-16-01	138 x 60 x 32
AWIS-08	8000-16-01	138 x 60 x 32
AWIS-12	1200-16-01	148 x 94 x 57
AWIS-24	2400-16-01	148 x 94 x 57



For further information about the Aural Message Box or price, do not hesitate to contact us.