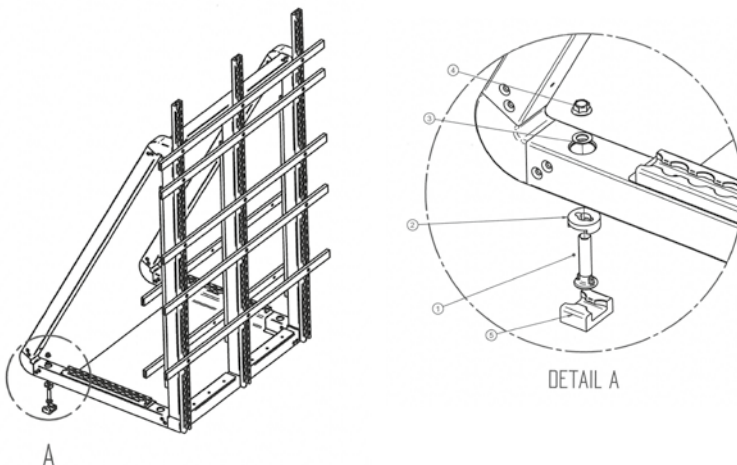


## MEDICAL EQUIPMENT RETAINER



### Description

The variable Equipment Retainer is for mounting of medical devices and medical equipment. Installation can be carried out on various seat positions in the passenger compartment, to ensure optimal arrangement of medical equipment for any application. The special development of the design is based on the operational requirements for doctors and paramedics from air rescue.



### Benefits

- Bracket can be mounted on any seat position
- Six different installation variants possible
- Variable arrangement of medical devices
- Height-adjustable Mounting rails
- Fixing rails are individually adapted for the customer
- Use of standard medical rails
- Variable displacement of the medical devices horizontally and vertically
- Space-saving arrangement



## Details

- Individual arrangement of the medical equipment by height-adjustable mounting rails
- Special surface treatment for medical cleaning
- Custom design for optimal arrangement
- Attachment of the Oxygen bottles on the rear side
- Quick mounting with four fixing points on the floor
- Maximum load of 95 kg possible
  - 1 rail at the top with a load capacity of up to 5 kg
  - 5 rails at the front, each with a load capacity of 10 kg
  - 2 rails at the rear with a load capacity of 20 kg each



**The STC is available for the types of Airbus SA365/AS365/EC155 B and B1.**

For further information about the Medical Equipment Retainer, please contact us.



## Our products – your benefit

You require the installation of new mission equipment or need medical systems for your new mission profile – we have the right solution for your demands.

By cooperating with renowned partners from the aviation industry and companies in air rescue, we design and manufacture tailor-made products for your applications. Whether fiber composite, metal or avionics, we implement your requirements from the idea to the finished product for you in our EASA Part 21J Design Organization and Part 21G Production Organization.

**We are specialized in the following areas:**

- Mission Equipment
- Medical Systems
- Engineering
- Manufacturing



**SPAES GmbH & Co. KG**

Greschbachstraße 29, 76229 Karlsruhe, Germany  
 Tel.: +49 (0) 721 96317750 | Fax: +49 (0) 721 96318273  
 info@spaes.de | www.spaes.de